

## A190 Main switch FDD16

### FDD16-63

Rated Current	Order Code			
	1P	2P	3P	4P
16	D16-1-16	D16-2-16	D16-3-16	D16-4-16
25	D16-1-25	D16-2-25	D16-3-25	D16-4-25
40	D16-1-40	D16-2-40	D16-3-40	D16-4-40
63	D16-1-63	D16-2-63	D16-3-63	D16-4-63

### Construction and Feature

- ◆ Capable of switch electric circuit with load
- ◆ Adaptable to padlock device
- ◆ Contact position indication
- ◆ Capable of quickly releasing stored energy operation
- ◆ Highlighted of high making and breaking capacity
- ◆ High short-circuit current withstand capacity
- ◆ Used as main switch for household and similar installation

### Technical Data

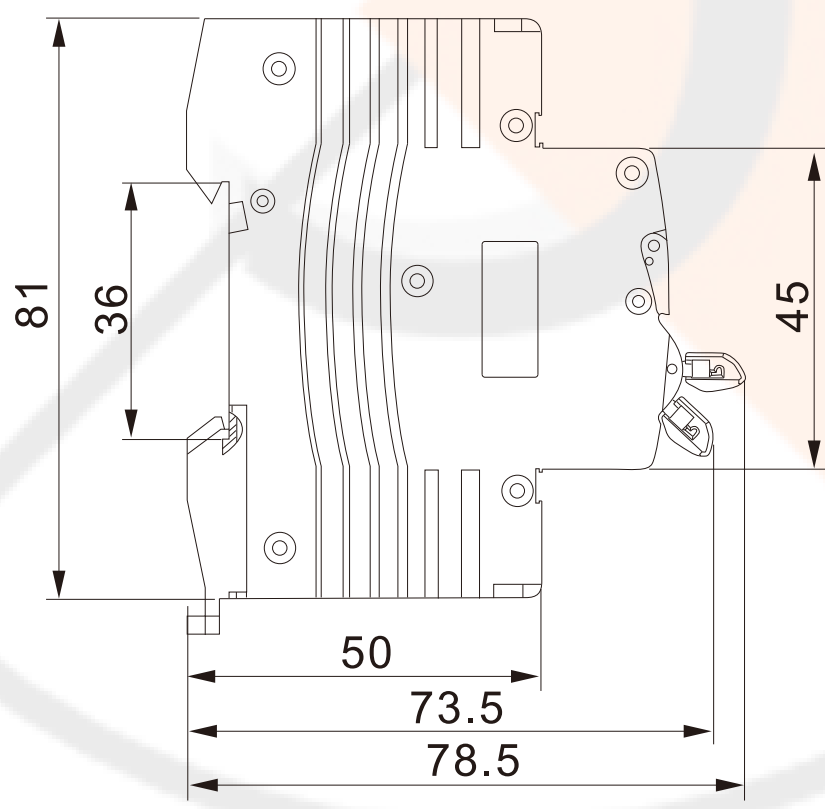
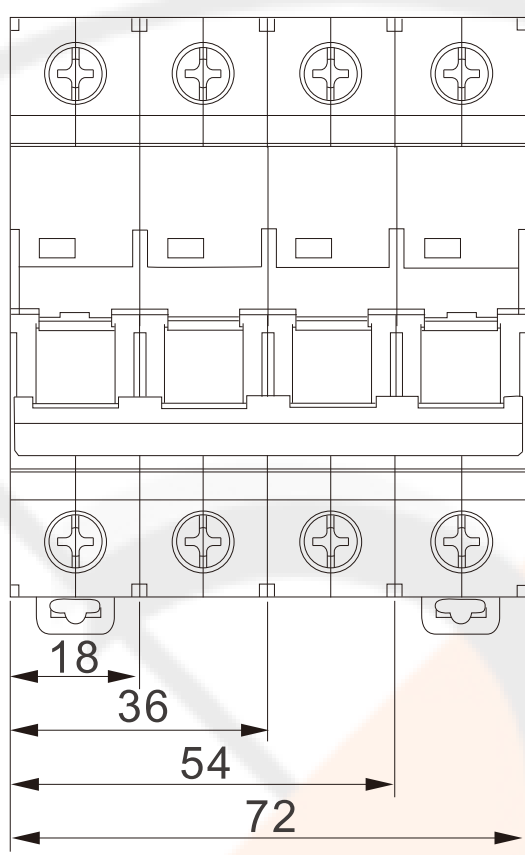
- ◆ Pole No.: 1, 2, 3, 4
- ◆ Rated Current: 16,25,40,63A
- ◆ Rated voltage: 230/400V AC
- ◆ Rated frequency: 50/60Hz
- ◆ Rated withstand current: 1000A within 1sec
- ◆ Electro-mechanical endurance: 10000 cycles
- ◆ Connection capacity: Rigid conductor 25mm<sup>2</sup>
- ◆ Connection terminal:
  - ◇ Screw terminal
  - ◇ Pillar terminal with clamp
- ◆ Installation:
  - ◇ On symmetrical din rail 35mm
  - ◇ Panel mounting



# MAIN SWITCH ISOLATOR



A190 Main switch FDD16



This document is property of CROP Technology Group Ltd. It is not allowed to send, duplicate or edit this document without written permission of CROP

## A190 Main switch FDD16

### FDD16-125

Rated Current	Order Code			
	1P	2P	3P	4P
63	D16-1H-63	D16-2H-63	D16-3H-63	D16-4H-63
80	D16-1H-80	D16-2H-80	D16-3H-80	D16-4H-80
100	D16-1H-100	D16-2H-100	D16-3H-100	D16-4H-100
125	D16-1H-125	D16-2H-125	D16-3H-125	D16-4H125



### Construction and Feature

- ◆ Capable of switch electric circuit with load
- ◆ Adaptable to padlock device
- ◆ Contact position indication
- ◆ Capable of quickly releasing stored energy operation
- ◆ Highlighted of high making and breaking capacity
- ◆ High short-circuit current withstand capacity
- ◆ Used as main switch for household and similar installation

### Technical Data

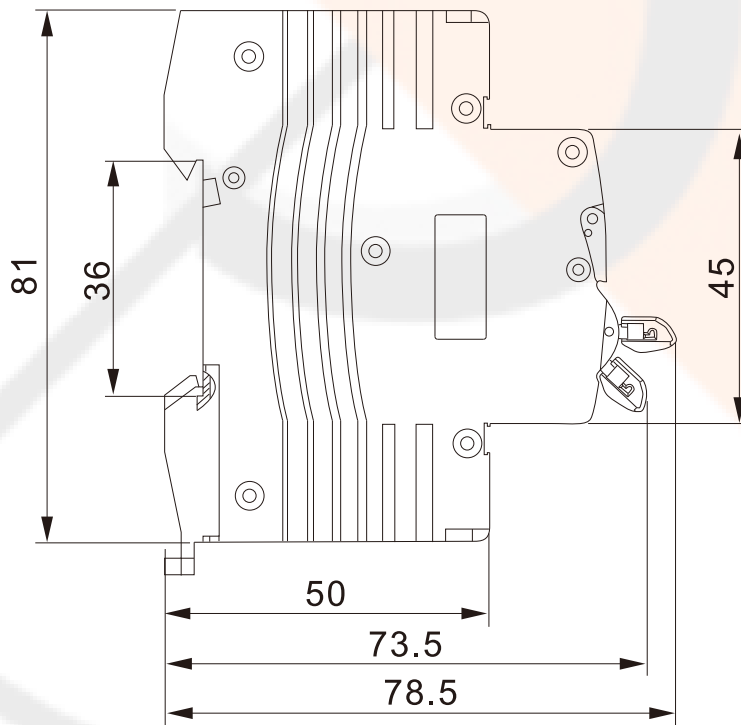
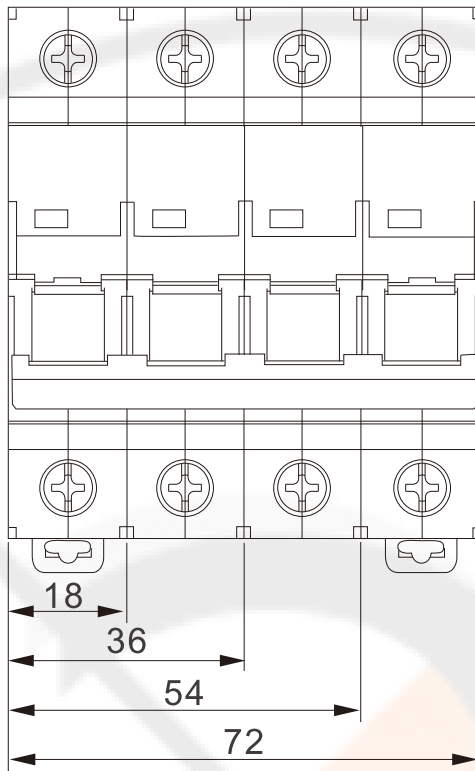
- ◆ Pole No.: 1, 2, 3, 4
- ◆ Rated Current: 63,80,100,125A
- ◆ Rated voltage: 230/400V AC
- ◆ Rated frequency: 50/60Hz
- ◆ Rated withstand current: 1000A within 1sec
- ◆ Electro-mechanical endurance: 10000 cycles
- ◆ Connection capacity: Rigid conductor 25mm<sup>2</sup>
- ◆ Connection terminal:
  - ◇ Screw terminal
  - ◇ Pillar terminal with clamp
- ◆ Installation:
  - ◇ On symmetrical din rail 35mm
  - ◇ Panel mounting



# MAIN SWITCH ISOLATOR



A190 Main switch FDD16



This document is property of CROP Technology Group Ltd. It is not allowed to send, duplicate or edit this document without written permission of CROP

## A190 Main switch FDD16



## FDD7-100

Breaking Capacity: H: 10000A; N: 6000A; L: 4500A

IEC60947-3

Rated Current	Order Code			
	1P	2P	3P	4P
32	FDD7-1-32	FDD7-2-32	FDD7-3-32	FDD7-4-32
40	FDD7-1-40	FDD7-2-40	FDD7-3-40	FDD7-4-40
63	FDD7-1-63	FDD7-2-63	FDD7-3-63	FDD7-4-63
80	FDD7-1-80	FDD7-2-80	FDD7-3-80	FDD7-4-80
100	FDD7-1-100	FDD7-2-100	FDD7-3-100	FDD7-4-100

### Application

It is a isolator, no overload protection function, and works to connect to cut off the load circuit. When it works as main switch, it may also trip when some of it's sub-circuit faulty. In such situation, it functions as main switch to function as earlier circuit protection.

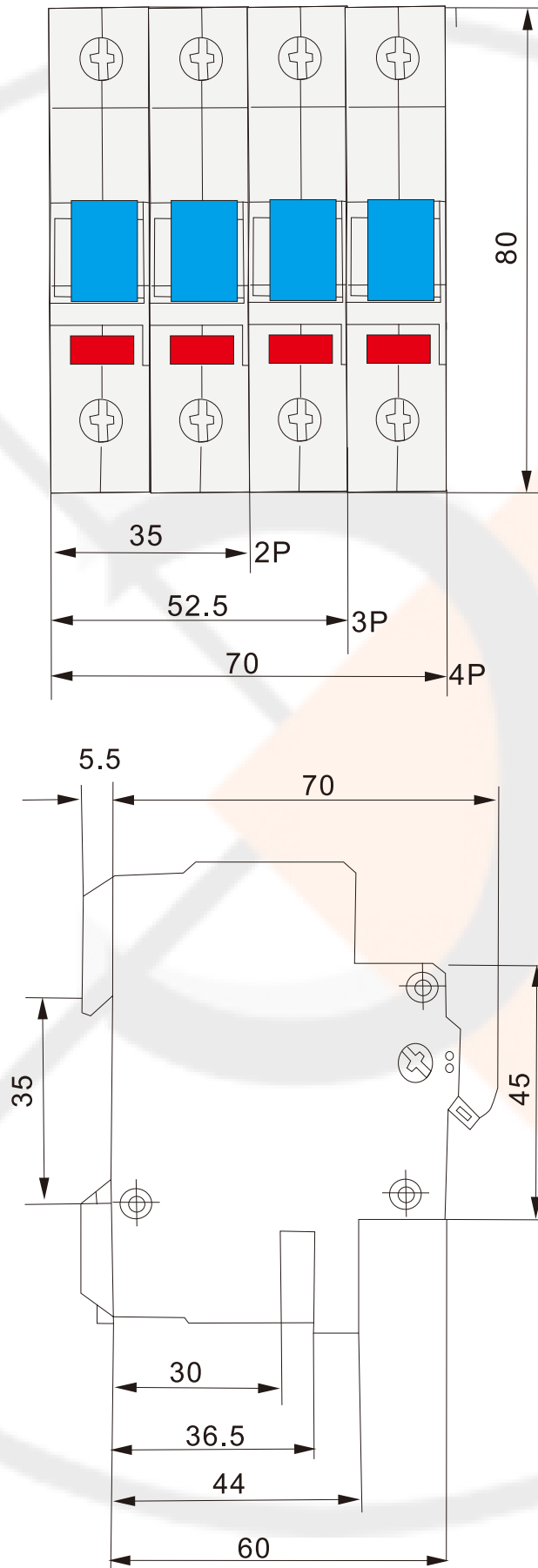
### Main technical parameters

- ◆ Standard: IEC60947-3 GB14048.3
- ◆ Rated current: 100 A
- ◆ Rated voltage: 50 Hz, 230V/400V
- ◆ Rated operating current: 32A, 63A, 100A
- ◆ Rated short time withstand capacity: 25 KA(connect 100A fuse protector)
- ◆ Pole: 1P, 2P, 3P, 4P
- ◆ Electric life:  $\geq 1500$  times
- ◆ Mechanical life:  $\geq 1000$  times
- ◆ Using type: AC-22
- ◆ Protection class: IP 20
- ◆ Operating temperature:  $-5 + 40^{\circ}\text{C}$
- ◆ Altitude:  $\leq 2000\text{m}$
- ◆ Pollution level: grade 3
- ◆ Installation: IEC standard, DIN rail 35mm
- ◆ Installation: the main switch be vertically installed, handle up means current connection.
- ◆ Place: no obvious or frequent vibration or impact

# MAIN SWITCH ISOLATOR



A190 Main switch FDD16



This document is property of CROP Technology Group Ltd. It is not allowed to send, duplicate or edit this document without written permission of CROP